

Product Specifications

DLP™ LED Display Engine



Model: VS-XE74U

Information in this document is subject to change without notice.

**Mitsubishi Electric Corporation
Kyoto Works**

Date: December 10, 2013

VS-XE74U Specifications

(1) Image panel and light source

Type	DLP™ technology (0.7" DLP™ 1 chip) DarkChip3™, BrilliantColor™
Resolution	1024 x 768 pixels
Light source	Redundant LED (RGB)
Light source average lifetime	100,000hours @ ADV.ECO mode 80,000hours @ Other modes

DLP and Digital Light Processing are trademarks of Texas Instruments.

(2) Electric specification

	Mode	Power consumption	Thermal dissipation
Power consumption Thermal dissipation (with 1 input board typ.)	BRIGHT	174W	150kcal/h (594BTU/h)
	NORMAL	127W	109kcal/h (434BTU/h)
	ECO	102W	88kcal/h (346BTU/h)
	ADV.ECO	79W	68kcal/h (270BTU/h)
Voltage range	AC 100 – 240V +/-10% , 50/ 60Hz +/-1Hz		
Operating current (100/240V)	2.6/1.3 Amp.		
Inrush current (100/240V)	30/60 Amp.		
Control signal input	RS-232C: D-Sub 9 pins		
	LAN: RJ45 x1 (10BASE-T/100BASE-TX)		
	D-Sub 9 pins x 2 (input, output) Mitsubishi original control link		
	Wire remote: F3.5Jack		
	IR Receiver		
Input board slot	Input board slot for optional input board x 3		
Input signal specification	Refer to (9) Optional input board specification		
Overlay function	Up to 6 windows per each screen.		

(3) Optical specification (Typical value)

Light output @BRIGHT Mode	600ANSI Lumen
Diagonal image size	50" – 80"
Throwing distance (Lens unit top - Screen)	50": 724 +/- 7.7mm 60": 882 +/- 9.3mm 67": 992 +/- 10.4mm 78.8": 1180 +/- 12.2mm
Throw ratio (Exit pupil – Screen) / Screen width	0.761 (Nominal)
Exit pupil – Lens unit top	43.4mm (Nominal)
Contrast ratio	1700:1
Brightness uniformity	95% at 90% image height
Geometry distortion	0.2%
Lateral color shift Red – Green Blue – Green	0.5pixel

(4) Mechanical specification (Approximate value)

Dimensions	Width	720mm / 28.3"
	Height	388mm / 15.3"
	Depth	345mm / 13.6"
Weight	33kg / 73lbs	
Audio noise	42dBA (typ.) (at 1m distance from the engine unit)	
Packing dimensions	Width	910mm / 35.8"
	Height	500mm / 19.7"
	Depth	530mm / 20.9"
Packing Weight	37kg / 82lbs	
Accessories	User's manual Control cable	

(5) Environment

Temperature and humidity Condition at operation	10°C – 35°C (50°F – 95°F), 20% – 80% non condensing
Temperature and humidity Condition at storage	-20°C – 50°C (-4°F – 122°F), 20% – 80% non condensing

(6) Safety approval

Safety approval	UL60950-1, CSAC22.2No.60950-1, EN60950-1 K60950-1, AS/NZS60950.1, GB4943.1
EMC	FCC part15 Subpart B Class A ICES-003 Issue No.5 Class A EN55022 Class A, EN55024 EN61000-3-2, EN61000-3-3 KN22 Class A, KN24 AS/NZS CISPR 22 Class A GB9254 Class A, GB17625.1 VCCI Class A, JIS C 61000-3-2

(7) Parts reliability (Average lifetime)

Cooling fan	100,000hours
-------------	--------------

(8) Options

Remote control unit	R-XL50TX / R-XL51TX
Analog RGB input board	VC-B70G2
Digital RGB input board	VC-B70D2
Video input board	VC-B70V2
Daisy chain board	VC-B70DC
SDI input board	VC-B70SD1
Digital/Analog RGB input board	VC-B70DA2
LED unit	S-74LE
Power cord (North America)	JC-PC3MA
Power cord (Europe)	JC-PC3ME
Power cord (China)	JC-PC3MC
Power cord (Japan)	JC-PC3MJ
Motorized adjustment tool	S-A70E
Motor units for screen/mirror	S-MA70E

(9) Optional input board specification

Analog RGB input board: VC-B70G2

Signal input terminal (Analog RGB)		5BNC x1 HD Dsub15 x1
RGB Input scanning frequency	Signal resolution	VGA (640 x 480) – WUXGA (1920 x 1200) (Refer to attached “Supported signals list”)
	Horizontal	31.5kHz – 92kHz
	Vertical	49Hz – 85Hz
Pixel clock rate		25MHz – 162MHz
Functions		Scaling: shrink and zoom. Frame rate conversion.

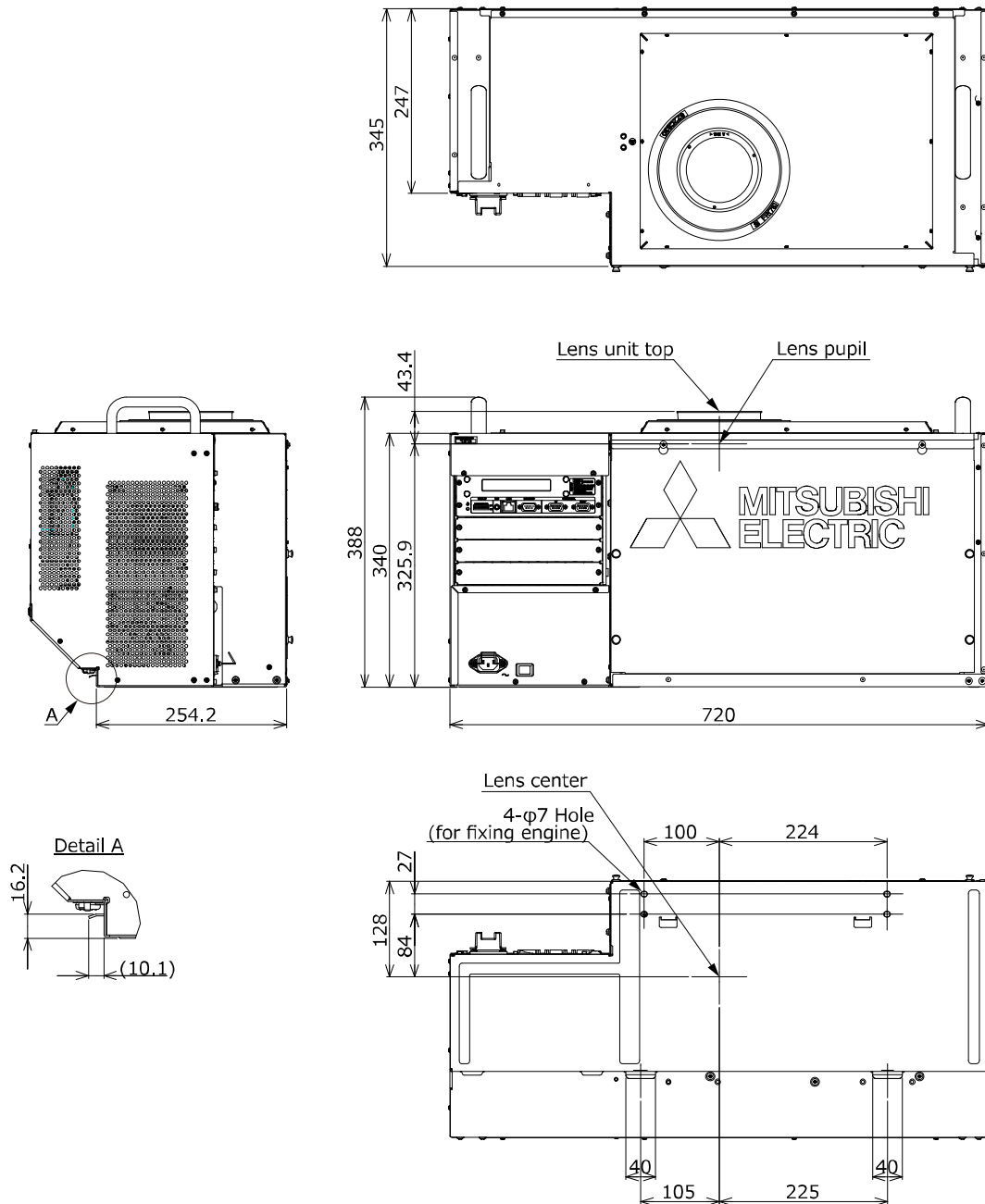
Digital RGB input board: VC-B70D2

Signal input terminal (Digital RGB)		DVI-D (with HDCP) x2
RGB Input scanning frequency	Signal resolution	VGA (640 x 480) – WUXGA (1920 x 1200) (Refer to attached “Supported signals list”)
	Horizontal	31.5kHz – 92kHz
	Vertical	49Hz – 85Hz
Pixel clock rate		25MHz – 162MHz
Signal format		TMDS
Functions		Scaling: shrink and zoom. Frame rate conversion.

Video input board: VC-B70V2

Signal input terminal (Analog Video)		3BNC x2
Video input signals		NTSC, NTSC4.43 PAL, PAL-M, PAL-N, PAL-60, SECAM
Functions		Scaling: shrink and zoom. Frame rate conversion.

External dimensions



Packing specification

