

# Product Specifications

## DLP™ LED Display Cube



Combination model name:

**Model: 60XE74**

Information in this document is subject to change without notice.

**Mitsubishi Electric Corporation  
Kyoto Works**

Date: December 20, 2013

## 60XE74 models Specifications

### (1) Combination model name

Combination model name	Unit model name			Features
	Engine	Cabinet	Screen	
60XE74U	VS-XE74U	S-6070CA	SC-6075U	Redundant LED light source Black stripe screen
60XE74L	VS-XE74U	S-6070CA	SC-6075L	Redundant LED light source Fine cross screen
60XE74B	VS-XE74U	S-6070CA	SC-6070B	Redundant LED light source Black bead screen

### (2) Image panel and light source

Type	DLP™ technology (0.7" DLP™ 1 chip) DarkChip3™, BrilliantColor™
Resolution	1024 x 768 pixels
Light source	Redundant LED (RGB)
Light source average lifetime	100,000hours @ ADV.ECO mode 80,000hours @ Other modes

DLP and Digital Light Processing are trademarks of Texas Instruments.

### (3) Electric specification

Power consumption Thermal dissipation (with 1 input board typ.)	Mode	Power consumption	Thermal dissipation
	BRIGHT	174W	150kcal/h (594BTU/h)
	NORMAL	127W	109kcal/h (434BTU/h)
	ECO	102W	88kcal/h (346BTU/h)
	ADV.ECO	79W	68kcal/h (270BTU/h)
Voltage range	AC 100 – 240V +/-10% , 50/ 60Hz +/-1Hz		
Operating current (100/240V)	2.6/1.3 Amp.		
Inrush current (100/240V)	30/60 Amp.		
Control signal input	RS-232C: D-Sub 9 pins		
	LAN: RJ45 x1 (10BASE-T/100BASE-TX)		
	D-Sub 9 pins x 2 (input, output) Mitsubishi original control link		
	Wire remote: F3.5Jack		
	IR Receiver		
Input board slot	Input board slot for optional input board x 3		
Input signal specification	Refer to (10) Optional input board specification		
Overlay function	Up to 6 windows per each screen.		

#### (4) Optical specification (Typical value)

Screen model name		SC-6075U	SC-6075L	SC-6070B
Brightness	BRIGHT mode	590cd/m <sup>2</sup>	300cd/m <sup>2</sup>	140cd/m <sup>2</sup>
	NORMAL mode	450cd/m <sup>2</sup>	230cd/m <sup>2</sup>	110cd/m <sup>2</sup>
	ECO mode	330cd/m <sup>2</sup>	160cd/m <sup>2</sup>	80cd/m <sup>2</sup>
	ADV.ECO mode	90cd/m <sup>2</sup>	50cd/m <sup>2</sup>	20cd/m <sup>2</sup>
Viewing angle	Horizontal	1/2 gain: +/- 35° 1/10 gain: +/- 57°	1/2 gain: +/- 35° 1/10 gain: +/- 57°	1/2 gain: +/- 35° 1/10 gain: +/- 75°
	Vertical	1/2 gain +/- 10° 1/10 gain: +/- 28°	1/2 gain +/- 33° 1/10 gain: +/- 55°	1/2 gain +/- 35° 1/10 gain: +/- 75°
Screen size		60" Diagonal size (1217.5mm x 912.8mm)		
Light output		600ANSI Lumen @BRIGHT mode		
Contrast ratio		1700:1		
Brightness uniformity		95% at 90% image height		
Geometry distortion		0.2%		
Mullion size (*)		0.2mm – 1.5mm		
Lateral color shift Red – Green Blue – Green		0.5pixel		

(\*) Depending on configuration and environment.

1.5mm recommended for large walls to allow for expansion due to heat and humidity.

#### (5) Mechanical specification (Approximate value)

Dimensions	Width	1219mm / 48.0"		
	Height	1195.3mm / 47.1"		
	Depth	726mm / 28.6"		
Weight		91kg / 201lbs		
Audio noise		33dBA (typ.) (at 1m distance from screen center)		
Packing dimensions		Engine unit	Cabinet unit	Screen unit
	Width	910mm / 35.8"	1308mm / 51.5"	1370mm / 53.9"
	Height	500mm / 19.7"	1377mm / 54.2"	1090mm / 42.9"
	Depth	530mm / 20.9"	805mm / 31.7"	180mm / 7.1"
Packing Weight		37kg / 82lbs	66kg / 146lbs	21kg / 46lbs
Accessories		Engine unit: User's manual, Control cable Cabinet unit: User's manual, Chassis cover Parts for connecting cubes Bolts for engine fixation, Joint hole seal		

### (6) Environment

Temperature and humidity Condition at operation	10°C – 35°C (50°F – 95°F), 20% – 80% non condensing
Temperature and humidity Condition at storage	-20°C – 50°C (-4°F – 122°F), 20% – 80% non condensing

### (7) Safety approval

Safety approval	UL60950-1, CSAC22.2No.60950-1, EN60950-1 K60950-1, AS/NZS60950.1, GB4943.1
EMC	FCC part15 Subpart B Class A ICES-003 Issue No.5 Class A EN55022 Class A, EN55024 EN61000-3-2, EN61000-3-3 KN22 Class A, KN24 AS/NZS CISPR 22 Class A GB9254 Class A, GB17625.1 VCCI Class A, JIS C 61000-3-2

### (8) Parts reliability (Average lifetime)

Cooling fan	100,000hours
-------------	--------------

### (9) Options

Remote control unit	R-XL50TX / R-XL51TX
Analog RGB input board	VC-B70G2
Digital RGB input board	VC-B70D2
Video input board	VC-B70V2
Daisy chain board	VC-B70DC
SDI input board	VC-B70SD1
Digital/Analog RGB input board	VC-B70DA2
LED unit	S-74LE
Power cord (North America)	JC-PC3MA
Power cord (Europe)	JC-PC3ME
Power cord (China)	JC-PC3MC
Power cord (Japan)	JC-PC3MJ
Motorized adjustment tool	S-A70E
Motor units for screen/mirror	S-MA70E

## (10) Optional input board specification

### Analog RGB input board: VC-B70G2

Signal input terminal (Analog RGB)		5BNC x1 HD Dsub15 x1
RGB Input scanning frequency	Signal resolution	VGA (640 x 480) – WUXGA (1920 x 1200) (Refer to attached “Supported signals list”)
	Horizontal	31.5kHz – 92kHz
	Vertical	49Hz – 85Hz
Pixel clock rate		25MHz – 162MHz
Functions		Scaling: shrink and zoom. Frame rate conversion.

### Digital RGB input board: VC-B70D2

Signal input terminal (Digital RGB)		DVI-D (with HDCP) x2
RGB Input scanning frequency	Signal resolution	VGA (640 x 480) – WUXGA (1920 x 1200) (Refer to attached “Supported signals list”)
	Horizontal	31.5kHz – 92kHz
	Vertical	49Hz – 85Hz
Pixel clock rate		25MHz – 162MHz
Signal format		TMDS
Functions		Scaling: shrink and zoom. Frame rate conversion.

### Video input board: VC-B70V2

Signal input terminal (Analog Video)		3BNC x2
Video input signals		NTSC, NTSC4.43 PAL, PAL-M, PAL-N, PAL-60, SECAM
Functions		Scaling: shrink and zoom. Frame rate conversion.

### Daisy chain board: VC-B70DC

Signal input terminal	Analog RGB: HD Dsub15 x1 Digital RGB: DVI-D (with HDCP) x1 Analog Video: 3BNC x1	
Signal output terminal	Digital RGB: DVI-D x1 (Daisy chain use only. Can not output HDCP signals.)	
RGB Input scanning frequency	Signal resolution	VGA (640 x 480) – WUXGA (1920 x 1200) (Refer to attached “Supported signals list”)
	Horizontal	31.5kHz – 92kHz
	Vertical	49Hz – 85Hz
Video input signals	NTSC, NTSC4.43 PAL, PAL-M, PAL-N, PAL-60, SECAM	
Pixel clock rate	25MHz – 162MHz	
Functions	Scaling: shrink and zoom. Frame rate conversion. Daisy chain function (Up to 16 cubes)	

### SDI input board: VC-B70SD1

Signal input terminal	BNC x 1
Signal output terminal	BNC x 1 (for through output)
Input signals	3G-SDI (SMPTE424M): 1080p@50/59.94/60Hz HD-SDI (SMPTE292M): 1080i@50/59.94/60Hz 720p@50/59.94/60Hz SD-SDI (SMPTE259M-C): 480i@59.94Hz, 576i@50Hz
Gen lock input	Terminal: BNC x 1 Format: NTSC/PAL Black burst
Functions	Scaling: shrink and zoom. Frame rate conversion. Through output: (Up to 16 cubes @ HD-SDI, SD-SDI Up to 9 cubes @ 3G-SDI)

### Digital/Analog RGB input board: VC-B70DA2

Signal input terminal	DVI-I (Digital with HDCP, Analog) x2	
RGB Input scanning frequency	Signal resolution	VGA (640 x 480) – WUXGA (1920 x 1200) (Refer to attached “Supported signals list”)
	Horizontal	31.5kHz – 92kHz
	Vertical	49Hz – 85Hz
Pixel clock rate	25MHz – 162MHz	
Signal format	TMDS	
Functions	Scaling: shrink and zoom. Frame rate conversion. Digital cable equalizer function (Maximum 50m depending on the qualities of equipment and cable)	

## Supported signals list

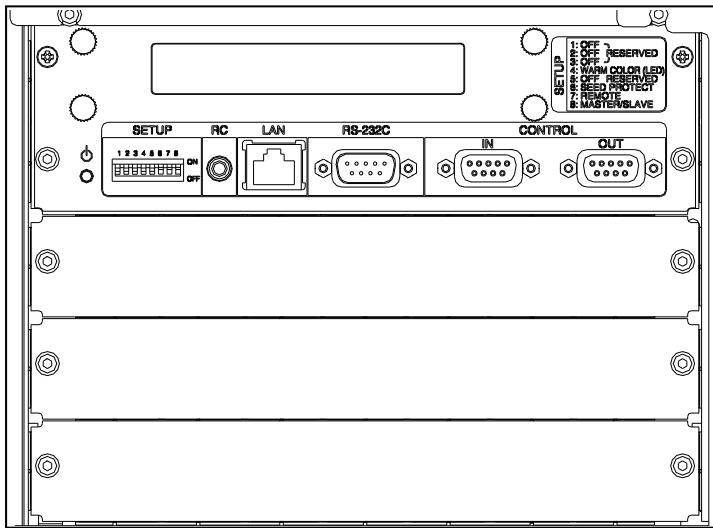
### RGB signals

Signal	Resolution	Refresh rate (Hz)	Line rate (kHz)
VESA	1920 x 1200	60.0	74.0
	1920 x 1080	60.0	67.5
	1680 x 1050	60.0	65.3
	1600 x 1200	60.0	75.0
	1440 x 900	59.9	55.9
	1400 x 1050	59.9	64.7
		60.0	65.3
		74.9	82.3
	1366 x 768	59.8	47.7
	1360 x 768	60.0	47.7
	1280 x 1024	60.0	64.0
		75.0	80.0
		85.0	91.1
	1280 x 960	60.0	60.0
	1280 x 800	59.8	49.7
	1280 x 768	59.9	47.8
	1280 x 720	60.0	45.0
	1152 x 864	75.0	67.5
	1024 x 768	60.0	48.4
		70.1	56.5
		75.0	60.0
		85.0	68.7
	848 x 480	60.0	31.0
	800 x 600	56.3	35.2
		60.3	37.9
		72.2	48.1
		75.0	46.9
		85.1	53.7
	720 x 400	85.0	37.9
	640 x 480	59.9	31.5
		72.8	37.9
		75.0	37.5
		85.0	43.3
640 x 400	85.1	37.9	
640 x 350	85.1	37.9	
PC	1400 x 1050	60.0	64.0
	1280 x 1024	60.0	63.4
	1280 x 960	75.0	75.0
	1152 x 864	70.0	63.9
		85.1	77.5
640 x 400	70.1	31.5	
	84.1	37.9	
Mac	1152 x 870	75.0	68.6
	1024 x 768	74.9	60.2
	832 x 624	74.5	49.7
	640 x 480	66.7	35.0
Unix	1280 x 1024	59.9	64.6
		71.2	75.1
		72.0	78.1
		76.1	81.1
HDTV	1920 x 1080	50.0	28.1
		59.9	33.7
	1280 x 720	50.0	37.5
		59.9	45.0

### Y/Cb/Cr ( Y/Pb/Pr ) signals

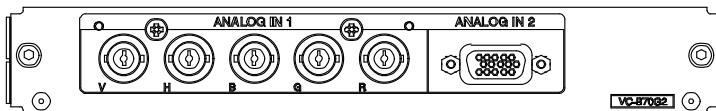
Signal	Resolution	Refresh rate (Hz)	Line rate (kHz)
1125p/1080p	1920 x 1080	50.0	56.3
		59.9	67.4
1125i/1080i	1920 x 1080	50.0	28.1
		59.9	33.7
750p/720p	1280 x 720	50.0	37.5
		59.9	45.0
625p/576p	720 x 576	50.0	31.3
525p/480p	720 x 480	59.9	31.5

## Terminal panel

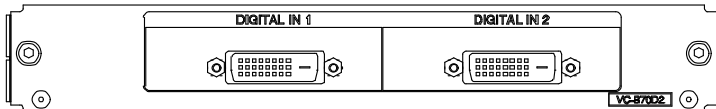


## Optional input board appearance

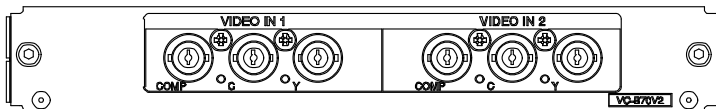
VC-B70G2



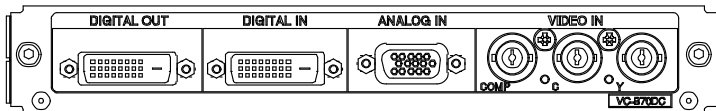
VC-B70D2



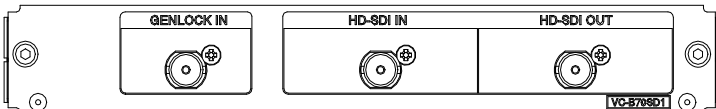
VC-B70V2



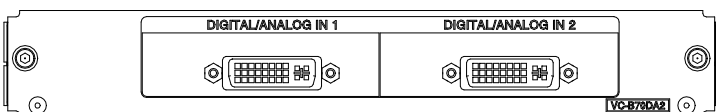
VC-B70DC



VC-B70SD1

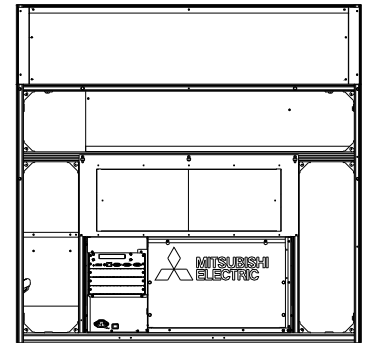
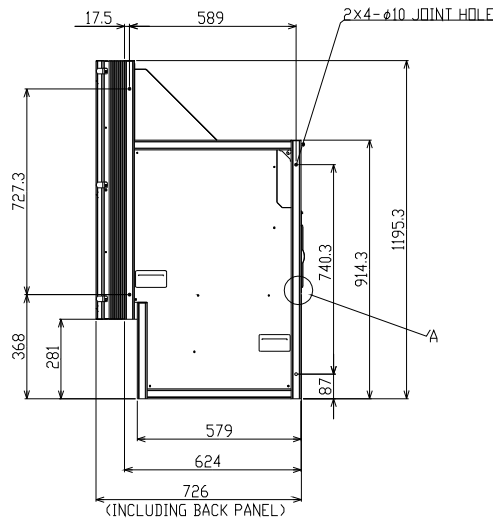
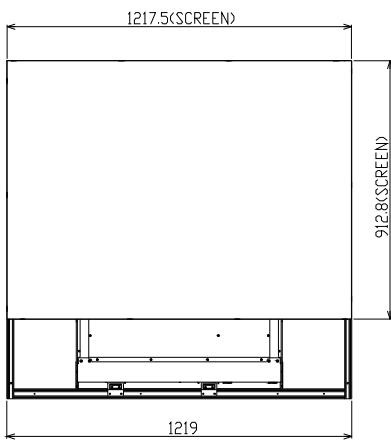
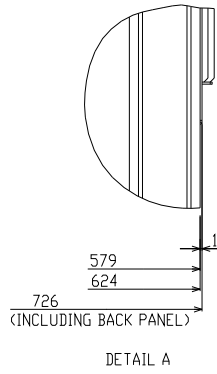
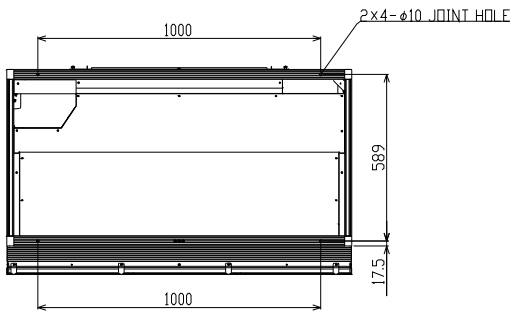


VC-B70DA2

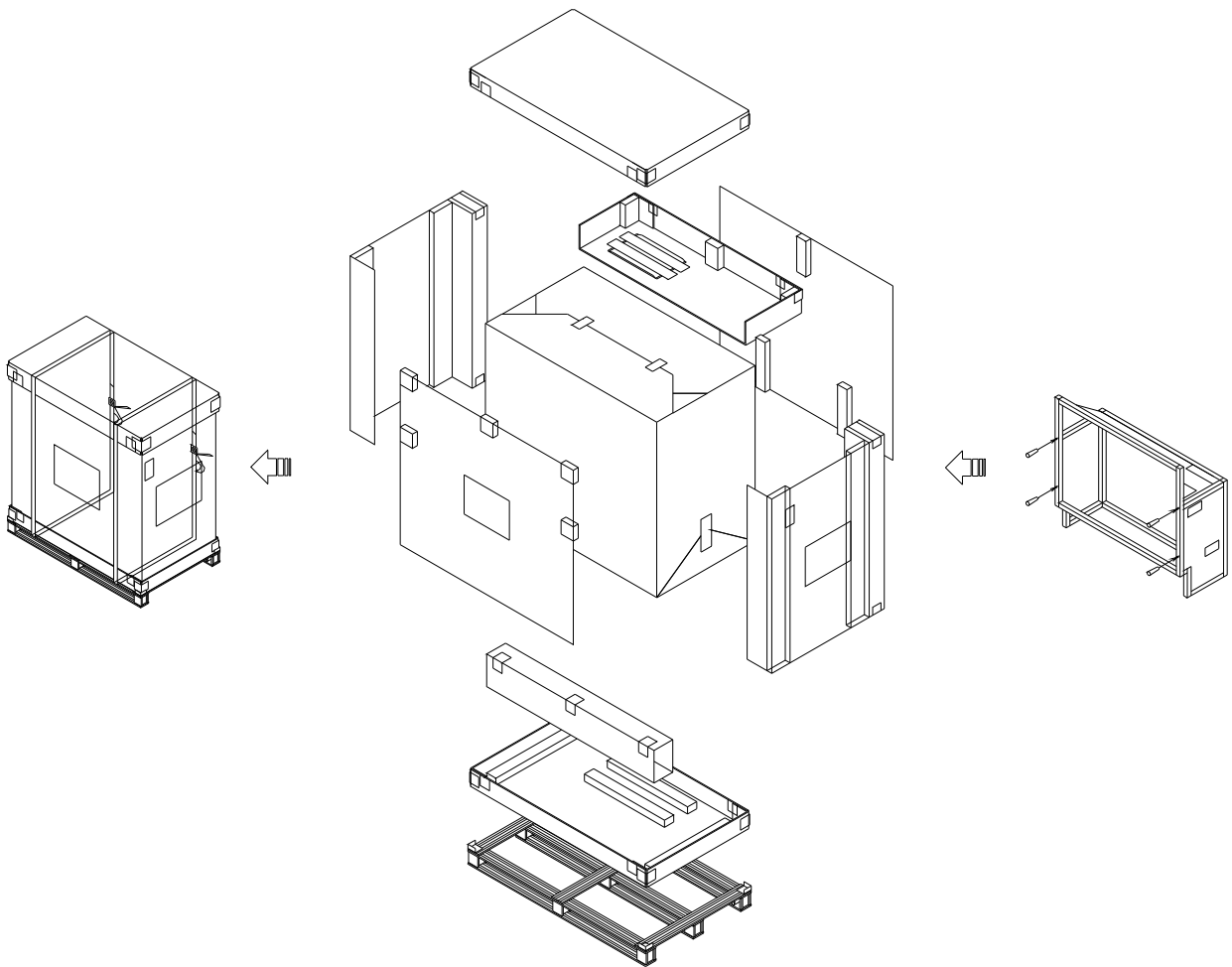




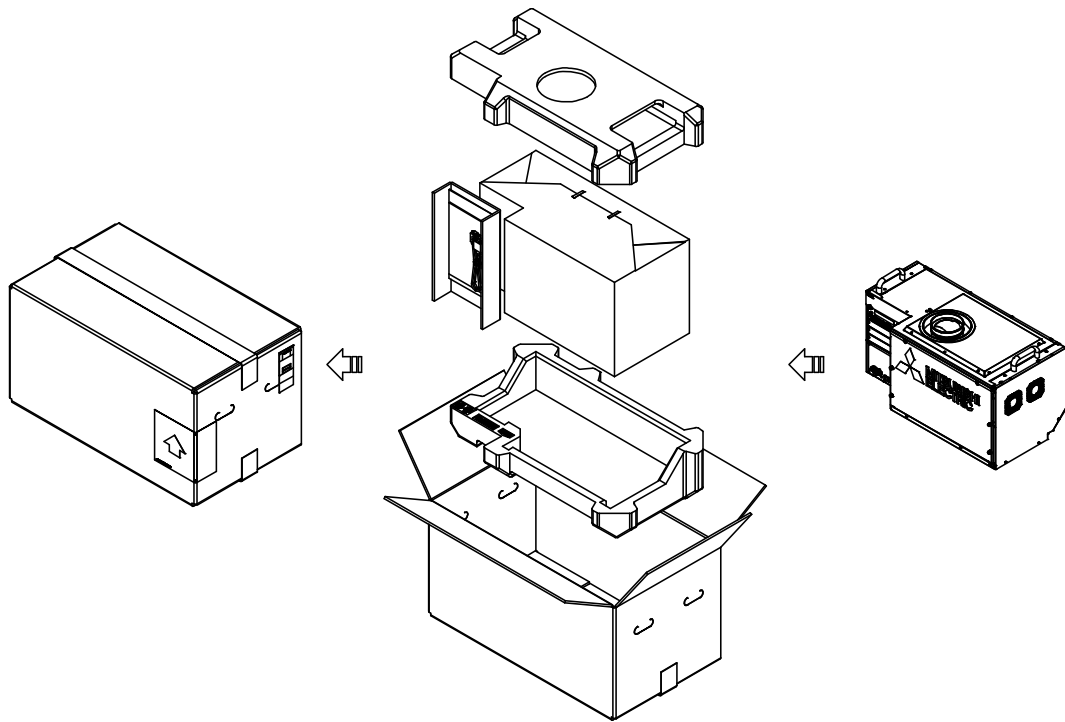
External dimensions



**Packing specification**  
**[Cabinet unit: S-6070CA]**



[Engine unit: VS-XE74U]



[Screen unit: SC-6075U/L, SC-6070B]

