

Product Specifications

Motorized Adjustment Tool (MAT)/ Motor Units for screen/mirror



**Model:
S-A70E
S-MA70E**

Information in this document is subject to change without notice.

**Mitsubishi Electric Corporation
Kyoto Works**

Date: August 31, 2009

Motorized adjustment tool (MAT)/ Motor units for screen/mirror Specifications

(1) Mechanical specification

Motorized adjustment tool: S-A70E

Dimensions		Upper unit	Lower unit	Drive unit
	Width	140mm	90mm	115.4mm
	Height	48.6mm	48.6mm	33.1mm
	Depth	47mm	47mm	77.9mm
Weight		0.4kg	0.3kg	0.3kg
Packing dimensions	Width	287mm		
	Height	121mm		
	Depth	175mm		
Packing Weight		1.4kg		
Accessories		Connecting cables x3 (including 2 spares) Spare latches Screws for fixation		

*This model can not be used with XL/PH50 series models.

Motor units for screen/mirror (4 units): S-MA70E

Dimensions	Width	27mm
	Height	41mm
	Depth	49.5mm
Weight		0.1kg /1 unit
Packing dimensions	Width	166mm
	Height	121mm
	Depth	166mm
Packing Weight		0.7kg
Accessories		Connecting cables x3 (including 2 spares)

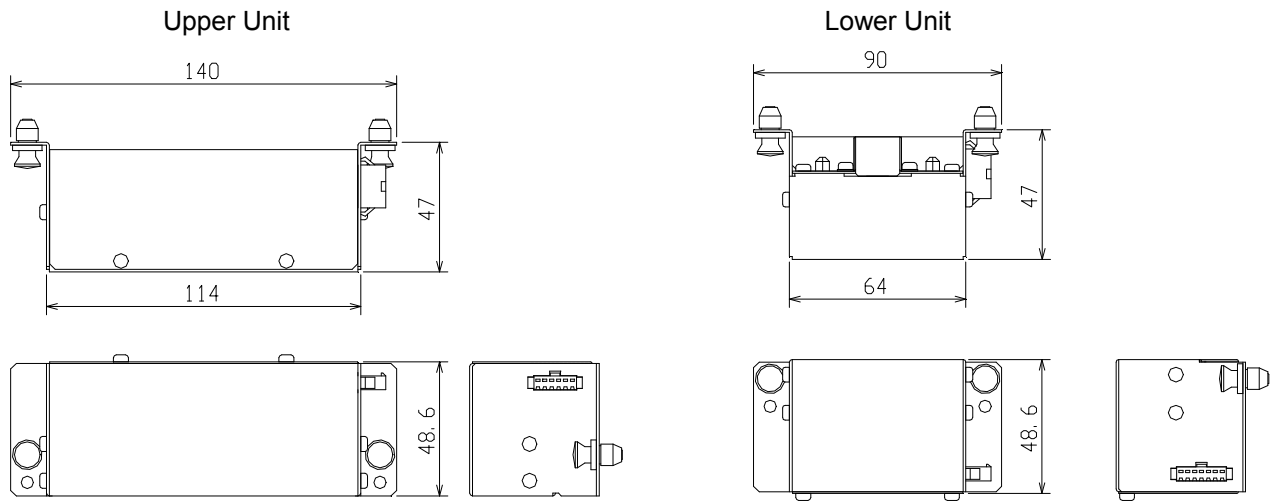
*This model should be used with S-A70E.

(2) Environment

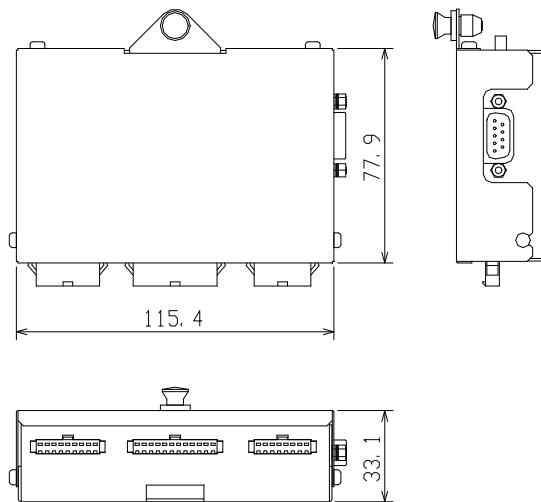
Temperature and humidity Condition at operation	10°C – 35°C (50°F – 95°F), 20% – 80% non condensing
Temperature and humidity Condition at storage	-20°C – 50°C (-4°F – 122°F), 20% – 80% non condensing

Dimensions

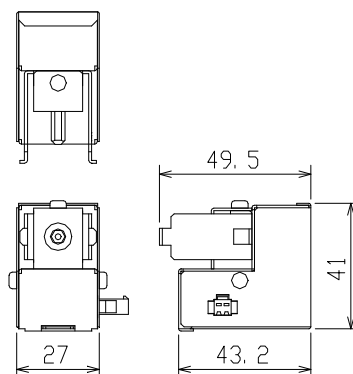
S-A70E:



Drive Unit

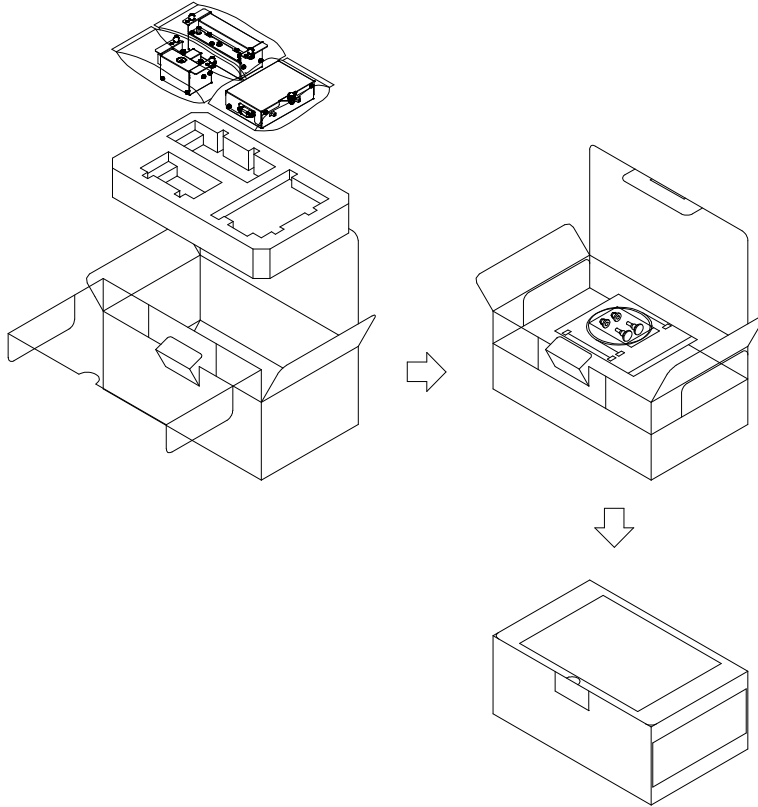


S-MA70E:



Packing specification

S-A70E



: S-MA70E

